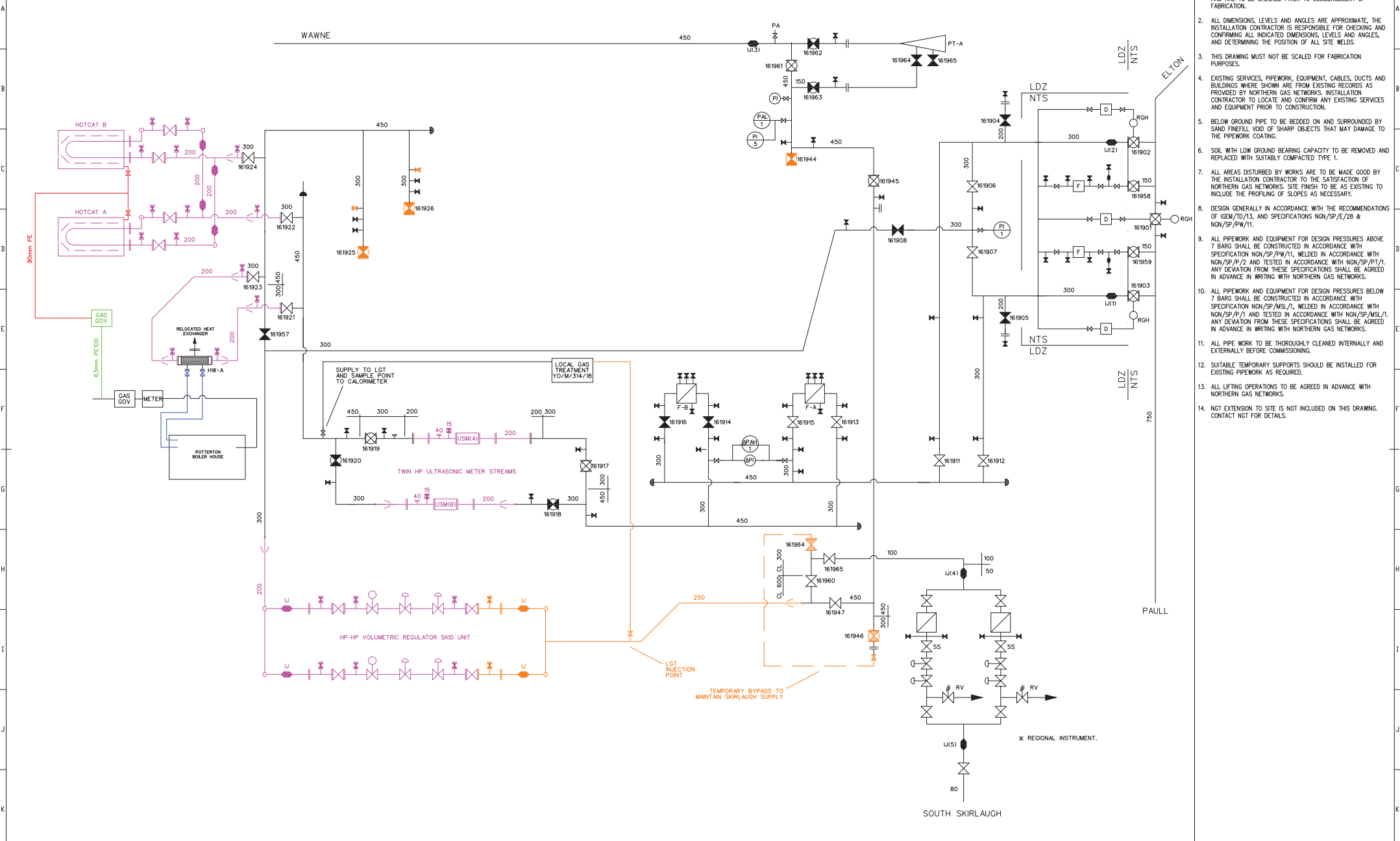


DO NOT SCALE. IF IN DOUBT ASK ALL DIMENSIONS IN MILLIMETRES UNLESS OTHERWISE STATED.



- NOTES**
1. ALL DIMENSIONS ARE IN MILLIMETERS UNLESS OTHERWISE STATED AND ARE TO BE CHECKED PRIOR TO COMMENCEMENT OF FABRICATION.
 2. ALL DIMENSIONS, LEVELS AND ANGLES ARE APPROXIMATE. THE INSTALLATION CONTRACTOR IS RESPONSIBLE FOR CHECKING AND CONFIRMING ALL INDICATED DIMENSIONS, LEVELS AND ANGLES, AND DETERMINING THE POSITION OF ALL SITE WELDS.
 3. THIS DRAWING MUST NOT BE SCALED FOR FABRICATION PURPOSES.
 4. EXISTING SERVICES, PIPEWORK, EQUIPMENT, CABLES, DUCTS AND BUILDINGS WHERE SHOWN ARE FROM EXISTING RECORDS AS PROVIDED BY NORTHERN GAS NETWORKS. INSTALLATION CONTRACTOR TO LOCATE, AND CONFIRM ANY EXISTING SERVICES AND EQUIPMENT PRIOR TO CONSTRUCTION.
 5. BELOW GROUND PIPE TO BE BEDDED ON AND SURROUNDED BY SAND FINEFILL VOID OF SHARP OBJECTS THAT MAY DAMAGE TO THE PIPEWORK COATING.
 6. SOIL WITH LOW GROUND BEARING CAPACITY TO BE REMOVED AND REPLACED WITH SUITABLY COMPACTED TYPE 1.
 7. ALL AREAS DISTURBED BY WORKS ARE TO BE MADE GOOD BY THE INSTALLATION CONTRACTOR TO THE SATISFACTION OF NORTHERN GAS NETWORKS. SITE FINISH TO BE AS EXISTING TO INCLUDE THE PROFILING OF SLOPES AS NECESSARY.
 8. DESIGN GENERALLY IN ACCORDANCE WITH THE RECOMMENDATIONS OF ISEM/TD/13, AND SPECIFICATIONS NGN/SP/E/28 & NGN/SP/PW/11.
 9. ALL PIPEWORK AND EQUIPMENT FOR DESIGN PRESSURES ABOVE 7 BAR SHALL BE CONSTRUCTED IN ACCORDANCE WITH SPECIFICATION NGN/SP/PW/11, WELDED IN ACCORDANCE WITH NGN/SP/P/2 AND TESTED IN ACCORDANCE WITH NGN/SP/PT/1. ANY DEVIATION FROM THESE SPECIFICATIONS SHALL BE AGREED IN ADVANCE IN WRITING WITH NORTHERN GAS NETWORKS.
 10. ALL PIPEWORK AND EQUIPMENT FOR DESIGN PRESSURES BELOW 7 BAR SHALL BE CONSTRUCTED IN ACCORDANCE WITH SPECIFICATION NGN/SP/MSL/1, WELDED IN ACCORDANCE WITH NGN/SP/P/1 AND TESTED IN ACCORDANCE WITH NGN/SP/MSL/1. ANY DEVIATION FROM THESE SPECIFICATIONS SHALL BE AGREED IN ADVANCE IN WRITING WITH NORTHERN GAS NETWORKS.
 11. ALL PIPE WORK TO BE THOROUGHLY CLEANED INTERNALLY AND EXTERNALLY BEFORE COMMISSIONING.
 12. SUITABLE TEMPORARY SUPPORTS SHOULD BE INSTALLED FOR EXISTING PIPEWORK AS REQUIRED.
 13. ALL LIFTING OPERATIONS TO BE AGREED IN ADVANCE WITH NORTHERN GAS NETWORKS.
 14. NGT EXTENSION TO SITE IS NOT INCLUDED ON THIS DRAWING. CONTACT NGT FOR DETAILS.

Rev	Description
0	ISSUED FOR TENDER
17/10/2014	
RCS	
AI	
RW	

Kilacree Street
Leeds
LS10 1BD

0113 276 8200

Project Title:	GANSTEAD	
Sheet:	01/01	Scale: @ 1:1 NTS
Drawn By:	RCS	Date: 17/10/2014
Checked by:	DT	17/10/2014
Approved By:	RW	17/10/2014

Site:	GANSTEAD	
Title:	GANSTEAD AGI PROPOSED SITE ELD	
Drawn By:	RCS	Date: 17/10/2014
Checked by:	DT	17/10/2014
Approved By:	RW	17/10/2014
Proj No:	RCS/2010270/GANSTEAD/A/002	Revision: 0