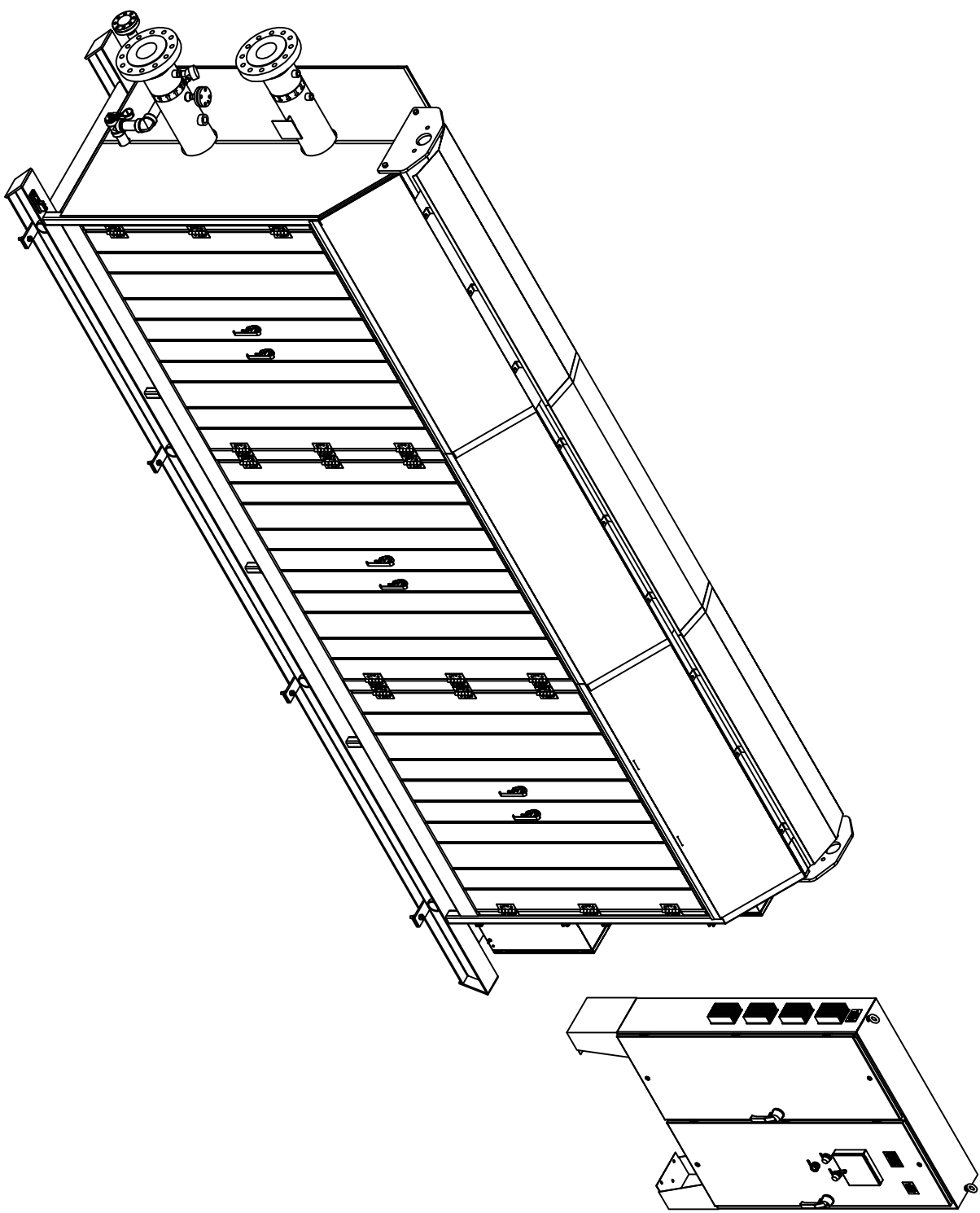


EQUIPMENT NO.	1729890 Catalytic Heater	OWNER P.O.	5055/5500002611
MODEL NO.	HC-1300	JOB NO.	B-0713-2
SERIAL NO.	HC-1243	WEIGHT	5,352kg
FUEL TYPE	NATURAL GAS	INPUT BTUH	1,296,000
DESIGN DUTY	550,000	DATE MFG.	JULY 2014
TUBE S/N	147871	MOP	62 BAR
VOLTAGE	400V~, 32A~, 50 Hz, 3~	MOT	260 C
AREA CLASSIFICATION	EX II 3 G		
CONTROLS	AUTOMATED - A. B. COMPACT LOGIC 1769-132C		
CERTIFICATIONS	ATEX EX II 3 G ON SKID & CE ON ALL EQUIPMENT		
OWNER SPECIFIED	5055/5500002611		
STA. LOCATION	CROSSGATES		

SPEC PLATE ENGRAVING

ITEM	QTY	PART NUMBER	DESCRIPTION	SYSTEM
1	1	232-071	FRAME, HC-1300	SK
2	1	232-075	DOOR ASSEMBLY, HC-1300	DO
4	1	232-072	ROOF PANELS & VENT COVER	PA
5	1	232-062UK	TUBE & HEATER SUPPORT DETAILS	THA
6	1	237-352	END PANEL ASSEMBLY	PA
7	1	GT010656	GAS TRAIN ASSEMBLY	GT
10	1	237-813	CONTROL PANEL - HC-1300	CTL
11	24	S1860-27195HC	HEATER ASSEMBLY, 18 X 60	HEATER
13	1	INST010656	INSTRUMENT LIST	INST
14	1	E1010656	CABLE LAYOUT	WIR
15	1	MAR010656	LOW VOLTAGE CONTROLS	WIR
16	1	MAR020656	HIGH VOLTAGE POWER	WIR
17	1	MAR030656	GLAND LAYOUT	WIR



BRUEST
CATALYTIC HEATERS

BOX 827
INDEPENDENCE, KANSAS 67301
(620) 331-0750 1-800-835-0557
sales@bruestcatalyticheaters.com

JOB NO: B-0713-2 SCALE:
DWG BY: Lindag DATE: 10/4/2013
APPROVED BY: DATE:
DRAWING DESCRIPTION: HC-1300 GENERAL ARRANGEMENT
8IN 600# FLANGES, ALTERNATE FUEL SUPPLY
FILE LOCATION: VAULT\DESIGN\JOBS\2013\B-0713-2

NORTHERN GAS NETWORKS

LOCATION: CROSSGATES STATION
P.O. # 5055/5500002611
CUSTOMER: NORTHERN GAS NETWORKS
EQUIP. # EQUIPMENT #1243
EQUIP NAME: HotCat HC-1300
APPROVED BY: DATE:

THIS PRINT AND THE INFORMATION CONTAINED THEREIN IS THE SOLE PROPERTY OF CATALYTIC INDUSTRIAL GROUP, INC. IT IS EXPRESSLY PROHIBITED TO REPRODUCE, TRANSMIT TO OTHERS OR USE IN ANY OTHER MANNER WHICH IS DETRIMENTAL TO THE INTERESTS OF CATALYTIC INDUSTRIAL GROUP, INC. THE RECIPIENT MAY ONLY USE THIS LOANED CONFIDENTIAL INFORMATION FOR THE PURPOSE IT WAS PROVIDED AND SHALL GUARD AGAINST ITS UNAUTHORIZED USE. APPROVAL FOR WIDER DISSEMINATION OR ADDITIONAL USES SHALL BE IN WRITING. THIS INFORMATION SHALL BE RETURNED UPON REQUEST.

WE RESERVE THE RIGHT TO MAKE IMPROVEMENTS/CHANGES AS CONDITIONS DICTATE.

REV	DATE	DRW	CKD	APPD	DATE	DESCRIPTION
E	24JUL14					MOP WAS WRONG @ 82 BAR
D	27JUN14					AS BUILT
C	18JUN14					MOVED HI TEMP SHUT DOWN TRANSMITTER UPDATE PARTS LIST
B	06FEB14					UPDATED CLIENT NAME
A	17JAN14					UPDATES PER 1/16/2014 CONFERENCE CALL